

Please copy one form per type and dimension and email the completed form to wearflex@insulcon.com.

From				
Company		Inquiry No.		
Person in charge		Quote by		
Department		Stamp/Sign.		
Data				
Phone	Code			
Fax				
Design Data				
As previously delivered		of		
Type of plant				
Location				
Type of expansion joint		Quote for		pc/pcs
Medium				
Gas velocity		m/s	Gas flow	
			m ³ /h	
Operating conditions				
Continuously		Intermittent		
Starts per	hour	week	month	year
Gas Analysis				
Abrasive:	yes	no	Content of abrasive particles: mg/m ³	
Ambient temp.:	°C/	°F	Medium condition: dry wet	
Medium Temp. oper./peak/design:		/	/	°C / °F
Operation below dew point:		yes	no	If yes, how often:
Dew point:	°C/	°F	Pressure overpressure vacuum	
Pressure oper./peak/design:		/	/	kPa bar mm WG
Flow direction		horizontal	upwards	downwards
External influences				

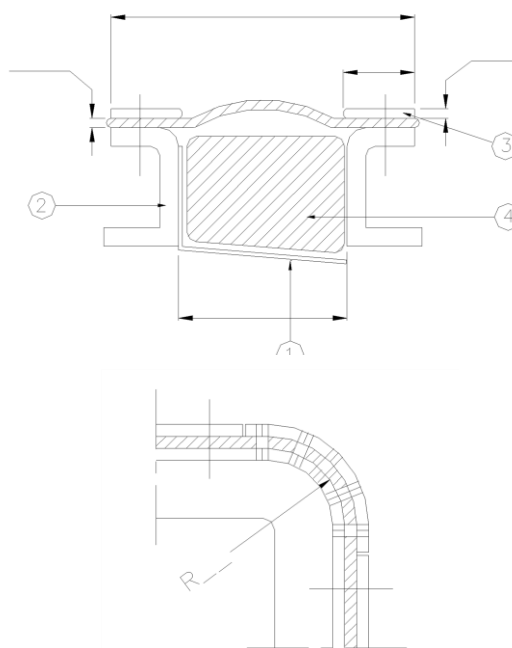
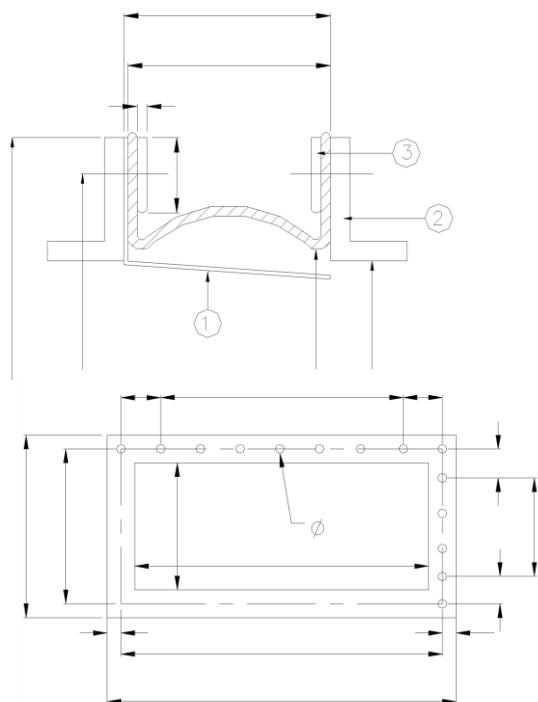
Insulcon B.V.
 Zilverhoek 4
 4651 SP Steenberg
 The Netherlands
 +31(0) 167 565750
 info@insulcon.com

Keramab N.V.
 Haverheidelaan 4
 9140 Temse
 Belgium
 +32 (0) 3 7110278
 sales@keramab.com

Insulcon GmbH
 Welser Str. 7
 41468 Neuss
 Germany
 +49(0) 2131 408548-0
 insulcongbh@insulcon.com

Insulcon Projects S.A.
 Via Geretta 18
 6900 Paradiso-Lugano
 Switzerland
 +41(0) 91911739-0
 infoch@insulcon.com

Movements			
Axial compression (-):	mm	Axial extension (+):	mm
Lateral movement (±):	mm	Angular movement:	°
Vibrations. Freq. & amp.:	Hz	mm	Pulsations: yes no
Design			
Type			
Materials. Inside to outside			
Design:	round	rectangular	other:
	closed design	open design incl. jointing kit	
	incl. boltholes	excl. boltholes	
	welding unit ready for installation	bolting unit ready for installation	
Rounded corners	yes	no	If confirmed, enter radius mm
Drawing No.:	enclosed	sketch enclosed	



Insulcon B.V.
Zilverhoek 4
4651 SP Steenberghe
The Netherlands
+31(0) 167 565750
info@insulcon.com

Keramab N.V.
Haverheidelaan 4
9140 Temse
Belgium
+32 (0) 3 7110278
sales@keramab.com

Insulcon GmbH
Welser Str. 7
41468 Neuss
Germany
+49(0) 2131 408548-0
insulcongbh@insulcon.com

Insulcon Projects S.A.
Via Geretta 18
6900 Paradiso-Lugano
Switzerland
+41(0) 91911739-0
infoch@insulcon.com

Accessories					
Pos. 1	Inner sleeve (liner)				
existing	not to be installed	quote for.	Material:		
Pos. 2	Duct flanges				
existing	quote for.	Dimensions	mm	Material:	
Pos. 3	Backing flanges				
existing	quote for.	Dimensions	mm	Material:	
Pos. 4	Insulation bolster				
existing	quote for.	Dimensions:	x	x	mm
Pos. 5	Bolts, nuts and washers				
quote for.	Material/Class:				
Pos. 6	Clamping bands				
existing	quote for.	Material:			
Pos. 7	Gaskets				
quote for.	Material:				
Others					

Insulcon B.V.
Zilverhoek 4
4651 SP Steenberg
The Netherlands
+31(0) 167 565750
info@insulcon.com

Keramab N.V.
Haverheidelaan 4
9140 Temse
Belgium
+32 (0) 3 7110278
sales@keramab.com

Insulcon GmbH
Welser Str. 7
41468 Neuss
Germany
+49(0) 2131 408548-0
insulcongmbh@insulcon.com

Insulcon Projects S.A.
Via Geretta 18
6900 Paradiso-Lugano
Switzerland
+41(0) 91911739-0
infoch@insulcon.com